

# Hatch door

## MOD. SP

The SP model hatch door is a compact semi-recessed door. It is designed for commercial use.

**PIR**  
FOAM DOOR

MADE IN  
**EUROPE**



### AVAILABLE FOR:

- REFRIGERATION
- FREEZING
- DEEP-FREEZING



Pre-assembled doors with fast and intuitive installation.



Heavy-duty and highly reliable with low maintenance.



Custom-made door with multiple finishes available.



EPDM double rubber gasket, maximum water and airtightness and easily replaceable.

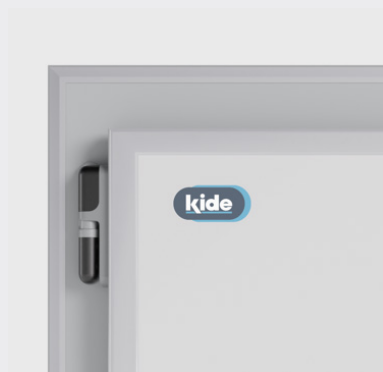


Suitable for use in refrigerated cabinets, mortuary cold rooms, bakeries and patisseries, adapting to a wide range of professional environments that require precise temperature control and food preservation.

1 Hinge



2 Aluminium frame



3 Closing system



## LEAF

### CONSTRUCTION / MATERIALS

- Manufactured with an anodised aluminium structural profile frame with thermal bridge break.

### COATING

- Galvanised and lacquered steel sheet with 25 µm polyester paint.
- White RAL 9010.
- Coated with a removable protective film.
- Food safe use.

### INSULATION

- High-pressure injected polyisocyanurate (PIR) foam with a density of 40-43 kg/m<sup>3</sup>.

### AIRTIGHTNESS

- Double rubber gasket sealing strip on PVC support.

### THICKNESS

- Refrigeration 60 mm. (40+20).
- Freezing 100 mm. (40 + 60).
- Deep freezing 140 mm. (40 + 100).

## FRAME

### THERMAL BRIDGE BREAK WITH ALUMINIUM FRAME

- Leaf mounted on a frame. Constructed with lacquered aluminium profiles with thermal bridge break.

### RESISTANCE TO SUB-ZERO TEMPERATURES

- For negative temperature applications, it incorporates a heating element protected by a PVC cover.
- Freezing: 25 W/m.
- Deep-freezing: 40 W/m.

### FINISHES AND FIXING

- Frame fixed to panel by hidden self-tapping screws covered by an aluminium profile.

## FITTINGS

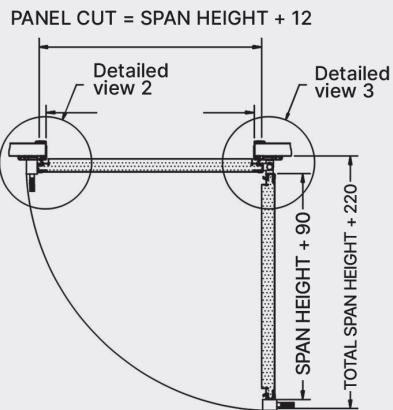
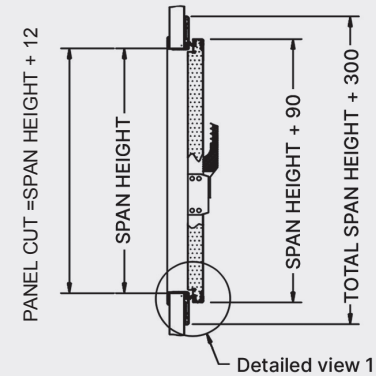
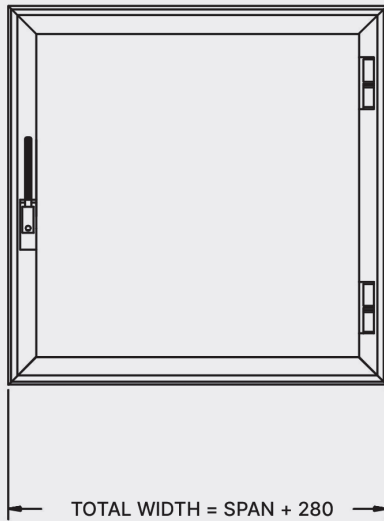
- The adjustable hinges with polyamide ramp and the lock are made of composite.

## OPTIONS

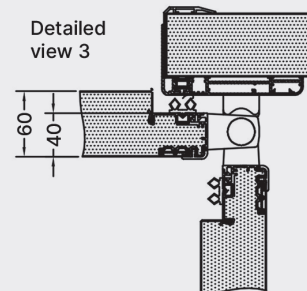
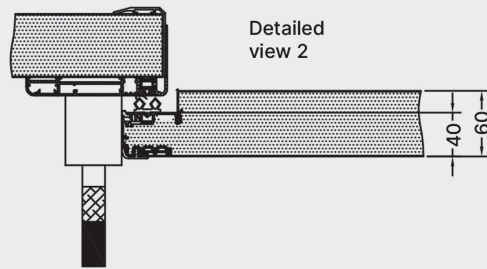
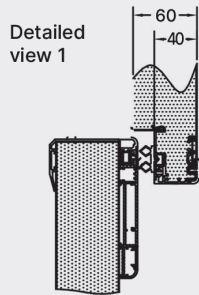
- Frame prepared to install on a brick wall.
- Lock with key.



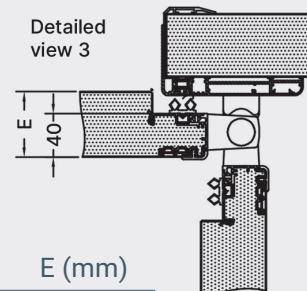
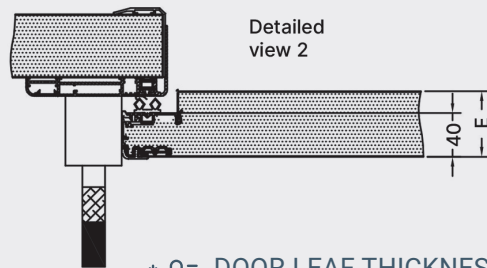
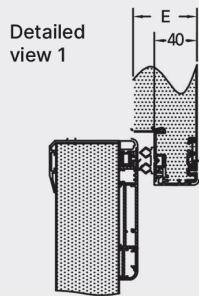
## TECHNICAL DETAILS



## REFRIGERATION



## FREEZING AND DEEP FREEZING



DOOR LEAF THICKNESS E (mm)

- FREEZING 100
- DEEP-FREEZING 140